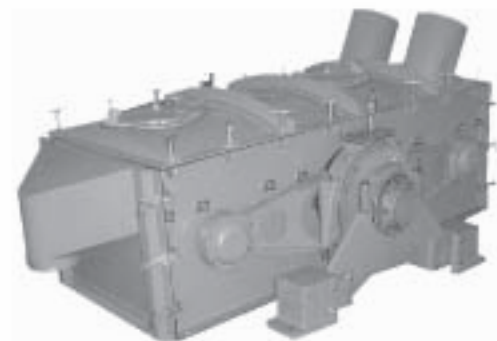


DH2



DUAL DECK



SELECTRO



VIBROSET

Did you know...

...that for over 33 years SMICO Vibratory Screening Equipment has set the cement standards.*

Quality assurance in heavy construction is not an option. More and more, it's become the norm for customers to demand material performance, contractor know-how and conformance to specifications concerning cement, concrete and aggregate.

Who does the Cement Industry look to for testing and standards?

The answer is the Cement and Concrete Reference Laboratory (CCRL) at the U.S. Department of Commerce's National Institute of Standards and Testing.

What is The National Institute Cement Lab's screening equipment of choice?

The answer is SMICO Vibratory Screening Equipment. Since 1969, the N.I.S.T., using SMICO equipment and expertise, has proven out the materials that are now commonplace in the industry.

Cement and concrete product manufacturers can be assured of quality...

SMICO sets the standard!

*The National Institute of Standards and Technology, an agency of the U.S. Department of Commerce's Technology Administration, strengthens the U.S. economy and improves the quality of life by working with industry to develop and apply technology, measurements and standards.



SMICO Manufacturing Company, LLC

500 North MacArthur Boulevard
Oklahoma City, OK 73127-5602
405-946-1461
800-351-9088
Fax 405-946-1472
smico@smico.com
www.smico.com